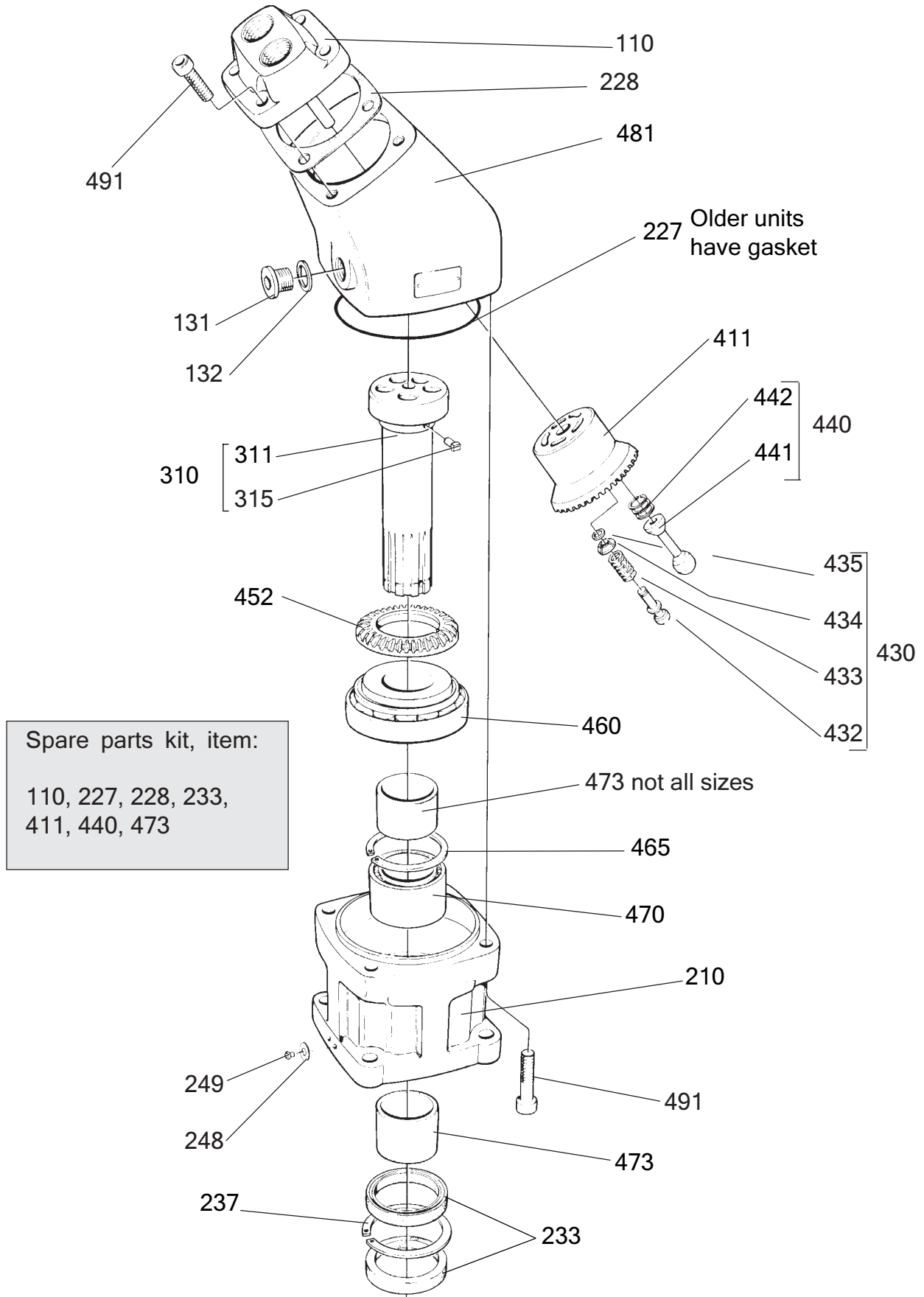




# Spare Parts Lists F1

---





Spare parts kit, item:  
 110, 227, 228, 233,  
 411, 440, 473



# Spare Parts

F1-20 part No. 3704520, 3708020, 3793357

Tab: **F1**  
Page 2  
SP024-0416

Item	Part No	Title	Benämning	Qty	Remarks
110	3704551	END CAP ASSY	ANSLUTNINGSTOPP KPL	1	
110	3793356	END CAP ASSY	ANSLUTNINGSTOPP KPL	1	M-type
118	114801	SET SCREW M5*6	STOPPSKRUV M5*6	1	M-type
131	3780933	HEX SOCKET PLUG R1/2	INSEXPROPP R1/2	1	
210	3704533	BEARING HOUSING ASSY	LAGERHUS KPL	1	
227	3704547	GASKET	PACKNING	1	
227	3794264	O-RING	O-RING	1	From May 1991
228	3704548	GASKET	PACKNING	1	
233	118773	SHAFT SEAL 40*62*6	TÄTNINGSRING 40*62*6	2	
237	967822	RETAINING RING IK62	SPÅRRING IK62 DIN 984	1	
248	3793510	WASHER	BRICKA	1	
249	116090	GROOVED RIVET	NIT	1	
310	3783386	SHAFT ASSY	AXEL KPL	1	See Si 0404
315	3709162	GUIDE PIN	STYRTAPP 6*11	1	See Si 0404
411	3704527	CYLINDER BARREL	CYLINDERTRUMMA	1	
430	3709838	BARREL SUPPORT	TRUMSTÖD	1	
440	3706402	PISTON ASSY	KOLV KPL	5	
442	3705969	PISTON RING	LAMELLRING	15	
452	3783181	RING GEAR	KUGGKRANS	1	See Si 0404
460	3780418	TAP ROL BEARING 31307	KON RULLAGER 31307	1	Replaces 118840
465	914530	RETAINING RING SGH55	SPÅRRING SGH55	1	
470	3703905	NEEDLE BEARING	NÅLLAGER NKS40	1	
473	3796039	INNER RING	INNERRING	3	Replaces 3703976
481	3794920	BARREL HOUSING	TRUMHUS	1	
491	949067	HEX SOCKET SCR.M10*30	INSEXSKRUV M10*30	8	KLASS 10.9



Item	Part No	Title	Benämning	Qty	Remarks
110	3704538	END CAP ASSY	ANSLUTNINGSTOPP KPL	1	
110	3791938	END CAP ASSY	ANSLUTNINGSTOPP KPL	1	M-type
118	114801	SET SCREW M5*6	STOPPSKRUV M5*6	1	M-type
131	3780933	HEX SOCKET PLUG R1/2	INSEXPROPP R1/2	1	
210	3704533	BEARING HOUSING ASSY	LAGERHUS KPL	1	
227	3704547	GASKET	PACKNING	1	
227	3794264	O-RING	O-RING	1	From May 1991
228	3704548	GASKET	PACKNING	1	
233	118773	SHAFT SEAL 40*62*6	TÄTNINGSRING 40*62*6	2	
237	967822	RETAINING RING IK62	SPÅRRING IK62 DIN 984	1	
248	3793510	WASHER	BRICKA	1	
249	116090	GROOVED RIVET	NIT	1	
310	3795431	SHAFT ASSY	AXEL KPL	1	Replaces 3704539
315	3792207	GUIDE PIN	STYRTAPP 6*11	1	
411	3704540	CYLINDER BARREL	CYLINDERTRUMMA	1	
430	3709838	BARREL SUPPORT	TRUMSTÖD	1	
440	3706403	PISTON ASSY	KOLV KPL	5	
442	3795377	PISTON RING	LAMELLRING	15	
452	3797710	RING GEAR	KUGGKRANS	1	
460	3780418	TAP ROL BEARING 31307	KON RULLAGER 31307	1	Replaces 118840
465	914530	RETAINING RING SGH55	SPÅRRING SGH55	1	
470	3703905	NEEDLE BEARING	NÅLLAGER NKS40	1	
473	3796039	INNER RING	INNERRING	3	Replaces 3703976
481	3794920	BARREL HOUSING	TRUMHUS	1	
491	949067	HEX SOCKET SCR.M10*30	INSEXSKRUV M10*30	8	KLASS 10.9



# Spare Parts

# ASM 2.1

F1-40 Part No. 3703940, 3708040, 3791640  
Up to Serial No. 1993219999

Tab: **F1**

Page 4

SP 026-0227 GB/S

Item	Part No	Title	Benämning	Qty	Remarks
110	3791541	END CAP ASSY	ANSLUTNINGSTOPP KPL	1	M-type
110	3703935	END CAP ASSY	ANSLUTNINGSTOPP KPL	1	
118	114801	SET SCREW M5*6	STOPPSKRUV M5*6	1	M-type
131	3780933	HEX SOCKET PLUG R1/2	INSEXPROPP R1/2	1	
210	3703825	BEARING HOUSING ASSY	LAGERHUS KPL	1	Not Available
227	3703902	GASKET	PACKNING	1	
227	3794266	O-RING	O-RING	1	From May 1991
228	3703901	GASKET	PACKNING	1	Req. No.
233	118773	SHAFT SEAL 40*62*6	TÄTNINGSRING 40*62*6	2	
237	967822	RETAINING RING IK62	SPÅRRING IK62 DIN 984	1	
248	3793510	WASHER	BRICKA	1	
249	116090	GROOVED RIVET	NIT	1	
310	3795432	SHAFT ASSY	AXEL KPL	1	Replaces 3704748
315	3709162	GUIDE PIN	STYRTAPP 8*16	1	
411	3703937	CYLINDER BARREL	CYLINDERTRUMMA	1	Not available
430	3709839	BARREL SUPPORT	TRUMSTÖD	1	
440	3706404	PISTON ASSY	KOLV KPL	5	
442	3705784	PISTON RING	LAMELLRING	15	
452	3704560	RING GEAR	KUGGKRANS	1	Not available
460	118025	TAP ROLL BEARING 31308	KON RULLAGER 31308	1	
465	914530	RETAINING RING SGH55	SPÅRRING SGH55	1	
470	3703905	NEEDLE BEARING	NÅLLAGER NKS40	1	
473	3796039	INNER RING	INNERRING	2	Replaces 3703976
481	3794474	BARREL HOUSING	TRUMHUS	1	Not Available
491	949068	HEX SOCKET SCREW	INSEXSKRUV M10*35	8	KLASS 10.9



# Spare Parts

F1-40 Part No. 3703940, 3708040, 3791640  
From Serial No. 1993220000 and up to  
1996490000

# ASM 2.1

Tab: **F1**

Page 5

SP 026-0227 GB/S

Item	Part No	Title	Benämning	Qty	Remarks
110	3791541	END CAP ASSY	ANSLUTNINGSTOPP KPL	1	M-type
110	3703935	END CAP ASSY	ANSLUTNINGSTOPP KPL	1	
118	114801	SET SCREW M5*6	STOPPSKRUV M5*6	1	M-type
131	3780933	HEX SOCKET PLUG R1/2	INSEXPROPP R1/2	1	
210	3703825	BEARING HOUSING ASSY	LAGERHUS KPL	1	Not available
227	3703902	GASKET	PACKNING	1	
227	3794266	O-RING	O-RING	1	From May 1991
228	3703901	GASKET	PACKNING	1	Req. No.
233	118773	SHAFT SEAL 40*62*6	TÄTNINGSRING 40*62*6	2	
237	967822	RETAINING RING IK62	SPÅRRING IK62 DIN 984	1	
248	3793510	WASHER	BRICKA	1	
249	116090	GROOVED RIVET	NIT	1	
310	3795432	SHAFT ASSY	AXEL KPL	1	Replaces 3704748
315	3709162	GUIDE PIN	STYRTAPP 8*16	1	
411	3799394	CYLINDER BARREL	CYLINDERTRUMMA	1	Replaces 3795341
430	3709839	BARREL SUPPORT	TRUMSTÖD	1	
440	3706404	PISTON ASSY	KOLV KPL	5	
442	3705784	PISTON RING	LAMELLRING	15	
452	3799395	RING GEAR	KUGGKRANS	1	Replaces 3795834
460	118025	TAP ROL BEARING 31308	KON RULLAGER 31308	1	
465	914530	RETAINING RING SGH55	SPÅRRING SGH55	1	
470	3703905	NEEDLE BEARING	NÅLLAGER NKS40	1	
473	3796039	INNER RING	INNERRING	2	Replaces 3703976
481	3794474	BARREL HOUSING	TRUMHUS	1	Not available
491	949068	HEX SOCKET SCREW	INSEXSKRUV M10*35	8	KLASS 10.9



# Spare Parts

# ASM 2.1

F1-40 Part No. 3703940, 3708040, 3791640  
From Serial No. 1998490001 and up

Tab: **F1**  
Page 5A

SP 026-0227 GB/S

Item	Part No	Title	Benämning	Qty	Remarks
110	3791541	END CAP ASSY	ANSLUTNINGSTOPP KPL	1	M-type
110	3703935	END CAP ASSY	ANSLUTNINGSTOPP KPL	1	
118	114801	SET SCREW M5*6	STOPPSKRUV M5*6	1	M-type
131	3780933	HEX SOCKET PLUG R1/2	INSEXPLOPP R1/2	1	
210	3797189	BEARING HOUSING ASSY	LAGERHUS KPL	1	Replaces 3703825
227	3703902	GASKET	PACKNING	1	
227	3797193	O-RING	O-RING	1	Replaces 3794266
228	3703901	GASKET	PACKNING		Req. No.
233	118773	SHAFT SEAL 40*62*6	TÄTNINGSRING 40*62*6	2	
237	967822	RETAINING RING IK62	SPÅRRING IK62 DIN 984	1	
248	3793510	WASHER	BRICKA	1	
249	116090	GROOVED RIVET	NIT	1	
310	3795432	SHAFT ASSY	AXEL KPL	1	Replaces 3704748
315	3709162	GUIDE PIN	STYRTAPP 8*16	1	
411	3799394	CYLINDER BARREL	CYLINDERTRUMMA	1	Replaces 3795341
430	3709839	BARREL SUPPORT	TRUMSTÖD	1	
440	3706404	PISTON ASSY	KOLV KPL	5	
442	3705784	PISTON RING	LAMELLRING	15	
452	3799395	RING GEAR	KUGGKRANS	1	Replaces 3795834
460	3797156	TAP ROL BEARING 31308	KON RULLAGER 31308	1	
465	914530	RETAINING RING SGH55	SPÅRRING SGH55	1	
470	3703905	NEEDLE BEARING	NÅLLAGER NKS40	1	
473	3796039	INNER RING	INNERRING	2	Replaces 3703976
481	3797190	BARREL HOUSING	TRUMHUS	1	Replaces 3794474
491	949068	HEX SOCKET SCREW	INSEXSKRUV M10*35	8	KLASS 10.9



# Spare Parts

F1-60 Part No. 3703960, 3708060, 3708450  
From Serial No. 1996490001 and up

ASM 2.1

Tab: F1  
Page 7A

SP 027-0227 GB/S

Item	Part No	Title	Benämning	Qty	Remarks
110	3706473	END CAP ASSY	ANSLUTNINGSTOPP KPL	1	M-type
110	3704513	END CAP ASSY	ANSLUTNINGSTOPP KPL	1	
118	114801	SET SCREW M5*6	STOPPSKRUV M5*6	1	M-type
131	3780933	HEX SOCKET PLUG R1/2	INSEXPROPP R1/2	1	
210	3797189	BEARING HOUSING ASSY	LAGERHUS KPL	1	Replaces 3703825
227	3703902	GASKET	PACKNING	1	
227	3797193	O-RING	O-RING	1	Replaces 3794266
228	3703901	GASKET	PACKNING		Req. No
233	118773	SHAFT SEAL 40*62*6	TÄTNINGSRING 40*62*6	2	
237	967822	RETAINING RING IK62	SPÅRRING IK62 DIN 984	1	
248	3793510	WASHER	BRICKA	1	
249	116090	GROOVED RIVET	NIT	1	
310	3795433	SHAFT ASSY	AXEL KPL	1	Replaces 3704558
315	3709162	GUIDE PIN	STYRTAPP 8*16	1	
411	3799393	CYLINDER BARREL	CYLINDERTRUMMA	1	Replaces 3795340
430	3709839	BARREL SUPPORT	TRUMSTÖD	1	
440	3706405	PISTON ASSY	KOLV KPL	5	
442	3705975	PISTON RING	LAMELLRING	15	
452	3799395	RING GEAR	KUGGKRANS	1	Replaces 3795834
460	3797156	TAP ROL BEARING 31308	KON RULLAGER 31308	1	
465	914530	RETAINING RING SGH55	SPÅRRING SGH55	1	
470	3703905	NEEDLE BEARING	NÅLLAGER NKS40	1	
473	3796039	INNER RING	INNERRING	2	Replaces 3703976
481	3797190	BARREL HOUSING	TRUMHUS	1	Replaces 3794474
491	949068	HEX SOCKET SCREW	INSEXSKRUV M10*35	8	KLASS 10.9



# Spare Parts

# ASM 2.1

F1-60 Part No. 3703960, 3708060, 3708450  
Up to Serial No. 1993210723

Tab: **F1**

Page 6

SP 027-0227 GB/S

Item	Part No	Title	Benämning	Qty	Remarks
110	3706473	END CAP ASSY	ANSLUTNINGSTOPP KPL	1	M-type
110	3704513	END CAP ASSY	ANSLUTNINGSTOPP KPL	1	
118	114801	SET SCREW M5*6	STOPPSKRUV M5*6	1	M-type
131	3780933	HEX SOCKET PLUG R1/2	INSEXPLOPP R1/2	1	
210	3703825	BEARING HOUSING ASSY	LAGERHUS KPL	1	Not available
227	3703902	GASKET	PACKNING	1	
227	3794266	O-RING	O-RING	1	From May 1991
228	3703901	GASKET	PACKNING		Req. No
233	118773	SHAFT SEAL 40*62*6	TÄTNINGSRING 40*62*6	2	
237	967822	RETAINING RING IK62	SPÅRRING IK62 DIN 984	1	
248	3793510	WASHER	BRICKA	1	
249	116090	GROOVED RIVET	NIT	1	
310	3795433	SHAFT ASSY	AXEL KPL	1	Replaces 3704558
315	3709162	GUIDE PIN	STYRTAPP 8*16	1	
411	3703868	CYLINDER BARREL	CYLINDERTRUMMA	1	Not available
430	3709839	BARREL SUPPORT	TRUMSTÖD	1	
440	3706405	PISTON ASSY	KOLV KPL	5	
442	3705975	PISTON RING	LAMELLRING	15	
452	3704560	RING GEAR	KUGGKRANS	1	Not available
460	118025	TAP ROL BEARING 31308	KON RULLAGER 31308	1	
465	914530	RETAINING RING SGH55	SPÅRRING SGH55	1	
470	3703905	NEEDLE BEARING	NÅLLAGER NKS40	1	
473	3796039	INNER RING	INNERRING	2	Replaces 3703976
481	3794474	BARREL HOUSING	TRUMHUS	1	Not available
491	949068	HEX SOCKET SCREW	INSEXSKRUV M10*35	8	KLASS 10.9



# Spare Parts

F1-60 Part No. 3703960, 3708060, 3708450  
From Serial No. 1993210724 and up  
to 1996490000

# ASM 2.1

Tab: **F1**

Page7

SP 027-0227 GB/S

Item	Part No	Title	Benämning	Qty	Remarks
110	3706473	END CAP ASSY	ANSLUTNINGSTOPP KPL	1	M-type
110	3704513	END CAP ASSY	ANSLUTNINGSTOPP KPL	1	
118	114801	SET SCREW M5*6	STOPPSKRUV M5*6	1	M-type
131	3780933	HEX SOCKET PLUG R1/2	INSEXPLOPP R1/2	1	
210	3703825	BEARING HOUSING ASSY	LAGERHUS KPL	1	Not available
227	3703902	GASKET	PACKNING	1	
227	3794266	O-RING	O-RING	1	From May 1991
228	3703901	GASKET	PACKNING		Req. No
233	118773	SHAFT SEAL 40*62*6	TÄTNINGSRING 40*62*6	2	
237	967822	RETAINING RING IK62	SPÅRRING IK62 DIN 984	1	
248	3793510	WASHER	BRICKA	1	
249	116090	GROOVED RIVET	NIT	1	
310	3795433	SHAFT ASSY	AXEL KPL	1	Replaces 3704558
315	3709162	GUIDE PIN	STYRTAPP 8*16	1	
411	3799393	CYLINDER BARREL	CYLINDERTRUMMA	1	Replaces 3795340
430	3709839	BARREL SUPPORT	TRUMSTÖD	1	
440	3706405	PISTON ASSY	KOLV KPL	5	
442	3705975	PISTON RING	LAMELLRING	15	
452	3799395	RING GEAR	KUGGKRANS	1	Replaces 3795834
460	118025	TAP ROLL BEARING 31308	KON RULLAGER 31308	1	
465	914530	RETAINING RING SGH55	SPÅRRING SGH55	1	
470	3703905	NEEDLE BEARING	NÅLLAGER NKS40	1	
473	3796039	INNER RING	INNERRING	2	Replaces 3703976
481	3794474	BARREL HOUSING	TRUMHUS	1	Not available
491	949068	HEX SOCKET SCREW	INSEXS KRUV M10*35	8	KLASS 10.9

Item	Part No	Title	Benämning	Qty	Remarks
110	3704516	END CAP ASSY	ANSLUTNINGSTOPP KPL	1	
131	3780933	HEX SOCKET PLUG R1/2	INSEXPROPP R1/2	1	
211	3708113	BEARING HOUSING	LAGERHUS	1	
210	3705044	BEARING HOUSING ASSY	LAGERHUS KPL	1	045-type
227	3705057	GASKET	PACKNING	1	
227	3794268	O-RING	O-RING	1	From May 1991
228	3703977	GASKET	PACKNING	1	
233	118773	SHAFT SEAL 40*62*6	TÄTNINGSRING 40*62*6	2	
237	967822	RETAINING RING IK62	SPÅRRING IK62 DIN 984	1	
248	3793510	WASHER	BRICKA	1	
249	116090	GROOVED RIVET	NIT	1	
310	3795435	SHAFT ASSY	AXEL KPL	1	Replaces 3704554
315	3709308	GUIDE PIN	STYRTAPP 10*17,5	1	
411	3703989	CYLINDER BARREL	CYLINDERTRUMMA	1	Not available
430	3709840	BARREL SUPPORT	TRUMSTÖD	1	
440	3706406	PISTON ASSY	KOLV KPL	5	
442	3705764	PISTON RING	LAMELLRING	15	
452	3704556	RING GEAR	KUGGKRANS	1	Not available
460	184660	TAP ROL BEARING	KON RULLAGER T7FC 055	1	
465	914537	RETAINING RING SGH72	SPÅRRING SGH72	1	
470	3705743	CYL BEARING NU2207ECP	CYL LAGER NU2207ECP	1	
473	3796039	INNER RING	INNERRING	1	Replaces 3703976
481	3780067	BARREL HOUSING	TRUMHUS	1	Replaces 3794992
491	3782191	HEX SOCKET SCREW	INSEXSKRUV M12*45	8	Replaces 968580

Item	Part No	Title	Benämning	Qty	Remarks
110	3795502	END CAP ASSY	ANSLUTNINGSTOPP	1	M-type
110	3707570	END CAP ASSY	ANSLUTNINGSTOPP KPL	1	
131	3780933	HEX SOCKET PLUG R1/2	INSEXPROPP R1/2	1	
210	3708734	BEARING HOUSING ASSY	LAGERHUS KPL	1	Not available
227	3708741	GASKET	PACKNING	1	
227	3794267	O-RING	O-RING	1	From May 1991
228	3708742	GASKET	PACKNING	1	
233	118773	SHAFT SEAL 40*62*6	TÄTNINGSRING 40*62*6	2	
237	967822	RETAINING RING IK62	SPÅRRING IK62 DIN 984	1	
248	3793510	WASHER	BRICKA	1	
249	116090	GROOVED RIVET	NIT	1	
310	3795434	SHAFT ASSY	AXEL KPL	1	Replaces 3708736
315	3709308	GUIDE PIN	STYRTAPP 10*17,5	1	
411	3708738	CYLINDER BARREL	CYLINDERTRUMM	1	Not available
430	3709840	BARREL SUPPORT	TRUMSTÖD	1	
440	3706406	PISTON ASSY	KOLV KPL	5	
442	3705764	PISTON RING	LAMELLRING	15	
452	3708740	RING GEAR	KUGGKR	1	Not available
460	184687	TAP ROLL BEARING	KON RULLAGER T7FC 050	1	
465	914537	RETAINING RING SGH72	SPÅRRING SGH72	1	
470	3705743	CYL BEARING NU2207ECP	CYL LAGER NU2207ECP	1	
473	3796039	INNER RING	INNERRING	1	Replaces 3703976
481	3794921	BARREL HOUSING	TRUMHUS	1	Not available
491	3782191	HEX SOCKET SCREW	INSEXSKRUV M12*45	8	Replaces 968580



# Spare Parts

F1-80 Part No. 3708743, 3708744, 3795500  
"slim type" From serial No. 199206000 through  
1994121592

# ASM 2.1

Tab: **F1**

Page 10

SP 029-0308 GB/S

Item	Part No	Title	Benämning	Qty	Remarks
110	3795502	END CAP ASSY	ANSLUTNINGSTOPP	1	M-type
110	3707570	END CAP ASSY	ANSLUTNINGSTOPP KPL	1	
131	3780933	HEX SOCKET PLUG R1/2	INSEXPROPP R1/2	1	
210	3708734	BEARING HOUSING ASSY	LAGERHUS KPL	1	Not available
227	3708741	GASKET	PACKNING	1	
227	3794267	O-RING	O-RING	1	From May 1991
228	3708742	GASKET	PACKNING	1	
233	118773	SHAFT SEAL 40*62*6	TÄTNINGSRING 40*62*6	2	
237	967822	RETAINING RING IK62	SPÄRRING IK62 DIN 984	1	
248	3793510	WASHER	BRICKA	1	
249	116090	GROOVED RIVET	NIT	1	
310	3795434	SHAFT ASSY	AXEL KPL	1	Replaces 3708736
315	3709308	GUIDE PIN	STYRTAPP 10*17,5	1	
411	3796342	CYLINDER BARREL	CYLINDERTRUMM	1	
430	3709840	BARREL SUPPORT	TRUMSTÖD	1	
440	3706406	PISTON ASSY	KOLV KPL	5	
442	3705764	PISTON RING	LAMELLRING	15	
452	3796341	RING GEAR	KUGGKR	1	
460	184687	TAP ROLL BEARING	KON RULLAGER T7FC 050	1	
465	914537	RETAINING RING SGH72	SPÄRRING SGH72	1	
470	3705743	CYL BEARING NU2207ECP	CYL LAGER NU2207ECP	1	
473	3796039	INNER RING	INNERRING	1	Replaces 3703976
481	3794921	BARREL HOUSING	TRUMHUS	1	Not available
491	3782191	HEX SOCKET SCREW	INSEXSKRUV M12*45	8	Replaces 968580



# Spare Parts

F1-80 Part No. 3796380, 3796381  
"X-tra slim-type" From serial No. 1994111276

ASM 2.1

Tab: **F1**

Page 11

SP 029-0308 GB/S

Item	Part No	Title	Benämning	Qty	Remarks
110	3707570	END CAP ASSY	ANSLUTNINGSTOPP KPL	1	
131	3780933	HEX SOCKET PLUG R1/2	INSEXPROPP R1/2	1	
210	3796490	BEARING HOUSING ASSY	LAGERHUS KPL	1	
211	3796489	BEARING HOUSING	LAGERHUS	1	
248	3793510	WASHER	BRICKA	1	
249	116090	GROOVED RIVET	NIT	1	
227	3796504	O-RING 107*3 N 70	O-RING 107*3 N 70	1	
228	3708742	GASKET 0.25	PACKNING 0,25	2	
228	3794906	GASKET 0.40	PACKNING 0,40	2	
233	118773	SHAFT SEAL 40*62*6	TÄTNINGSRING 40*62*6	2	
237	967822	RETAINING RING JK62	SPÅRRING JK62 DIN 984	1	
310	3795434	SHAFT ASSY	AXEL KPL	1	
311	3708736	SHAFT	AXEL	1	
315	3709308	GUIDE PIN	STYRTAPP 10*17,5	1	
411	3796342	CYLINDER BARREL	CYLINDERTRUMMA	1	
430	3709840	BARREL SUPPORT	TRUMSTÖD	1	
440	3706406	PISTON ASSY	KOLV KPL	5	
442	3705764	PISTON RING DIA 24.15	LAMELLRING DIAM 24.15	15	
452	3796341	RING GEAR	KUGGKRANS	1	
460	184687	TAP ROLL BEARING	KON RULLAGER T7FC 050	1	
465	914537	RETAINING RING SGH72	SPÅRRING SGH72	1	
470	3705743	CYL BEARING NU2207ECP	CYL LAGER NU2207ECP	1	
473	3796039	INNER RING 35*40*25	INNERRING 35*40*25	1	
481	3796283	BARREL HOUSING	TRUMHUS	1	
491	3782191	HEX S SCR M12*45 10.9	INS SKRUV M12*45 10.9	8	Replaces 968580

Item	Part No	Title	Benämning	Qty	Remarks
110	3704794	END CAP ASSY	ANSLUTNINGSTOPP KPL	1	
110	3705871	END CAP ASSY	ANSLUTNINGSTOPP KPL	1	M-type
118	114801	SET SCREW M5*6	STOPPSKRUV M5*6	1	M-type
131	3780933	HEX SOCKET PLUG R1/2	INSEXPROPP R1/2	1	
210	3708113	BEARING HOUSING ASSY	LAGERHUS KPL	1	
210	3705044	BEARING HOUSING ASSY	LAGERHUS KPL	1	045-type
227	3705057	GASKET	PACKNING	1	
227	3794268	O-RING	O-RING	1	From May 1991
228	3703977	GASKET	PACKNING	1	
233	118773	SHAFT SEAL 40*62*6	TÄTNINGSRING 40*62*6	2	
237	967822	RETAINING RING IK62	SPÄRRING IK62 DIN 984	1	
248	3793510	WASHER	BRICKA	1	
249	116090	GROOVED RIVET	NIT	1	
310	3795436	SHAFT ASSY	AXEL KPL	1	Replaces 3704598
315	3709308	GUIDE PIN	STYRTAPP 10*17,5	1	
411	3795314	CYLINDER BARREL	CYLINDERTRUMMA	1	
430	3709840	BARREL SUPPORT	TRUMSTÖD	1	
440	3706407	PISTON ASSY	KOLV KPL	7	
442	3705975	PISTON RING	LAMELLRING	21	
452	3795313	RING GEAR	KUGGKRANS	1	
460	184660	TAP ROLL BEARING	KON RULLAGER T7FC 055	1	
465	914537	RETAINING RING SGH72	SPÄRRING SGH72	1	
470	3705743	CYL BEARING NU2207ECP	CYL LAGER NU2207ECP	1	
473	3796039	INNER RING	INNERRING	1	Replaces 3703979
481	3780067	BARREL HOUSING	TRUMHUS	1	Replaces 3794992
491	3782191	HEX SOCKET SCREW	INSEXSKRUV M12*45	8	Replaces 968580



# Spare Parts

Kits for F1-020 through -110 and T1

Tab: **F1**  
Page 12A  
SP 031-0343

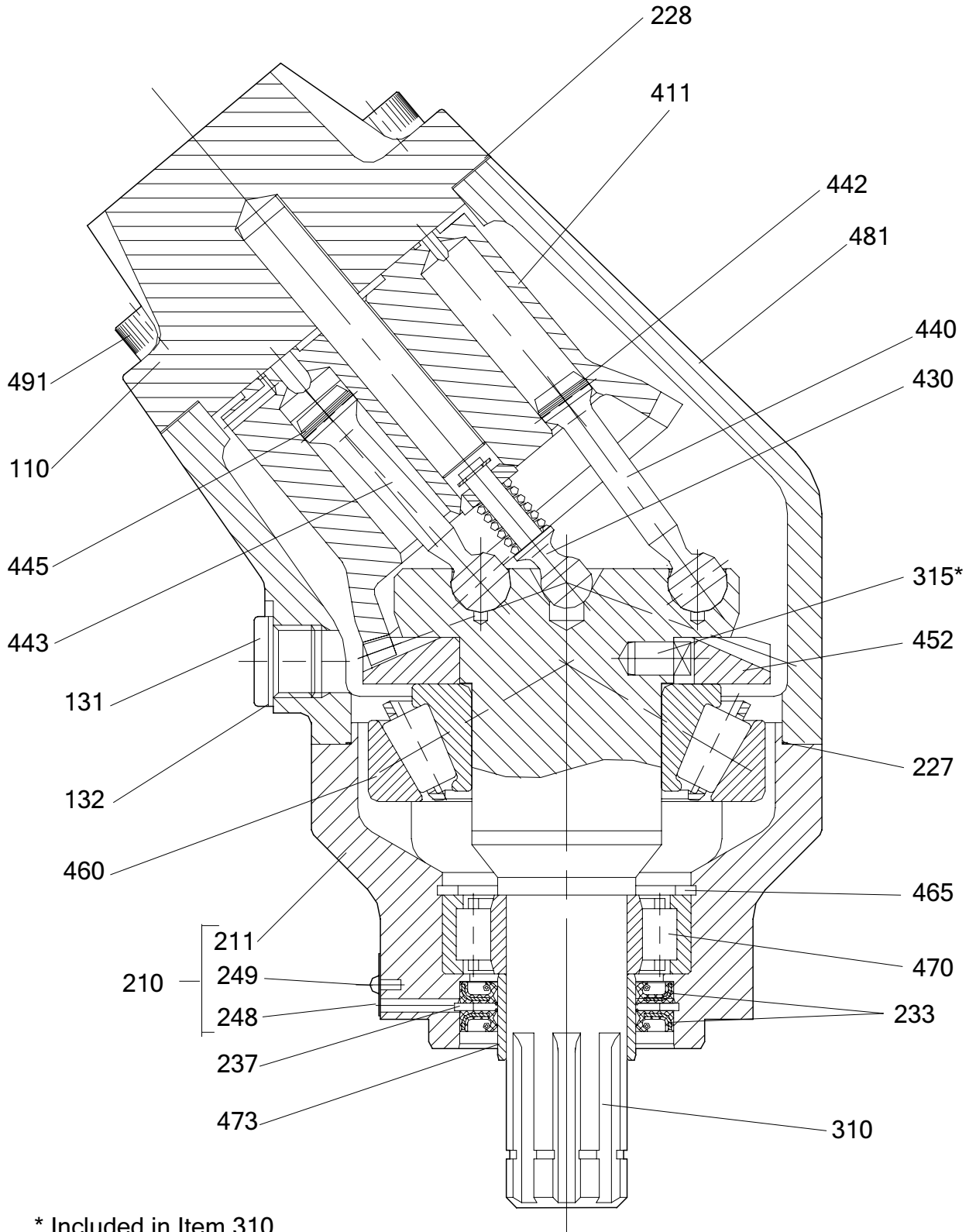
To fit	Part No	Title	Benämning	Serialno:
F1-020	3705755	Spare Parts Kit	Reservdelssats	
F1-020 SAE	3794962	Spare Parts Kit	Reservdelssats	
F1-020-M	3796901	Spare Parts Kit	Reservdelssats	
F1-030	3705756	Spare Parts Kit	Reservdelssats	
F1-030 SAE	3794963	Spare Parts Kit	Reservdelssats	
F1-030-M	3792291	Spare Parts Kit	Reservdelssats	
F1-040 Kugg 92	3780152	Spare Parts Kit	Reservdelssats	> 1993220000
F1-040 SAE Kugg 92	3780153	Spare Parts Kit	Reservdelssats	> 1993220000
F1-040-M Kugg 92	3780154	Spare Parts Kit	Reservdelssats	> 1993220000
F1-060 Kugg 92	3780150	Spare Parts Kit	Reservdelssats	> 1993220000
F1-060 SAE Kugg 92	3780149	Spare Parts Kit	Reservdelssats	> 1993220000
F1-060-M Kugg 92	3780151	Spare Parts Kit	Reservdelssats	> 1993220000
F1-080 Slim version	3796903	Spare Parts Kit	Reservdelssats	> 9206120
F1-080-M	3796902	Spare Parts Kit	Reservdelssats	
F1-110	3795318	Spare Parts Kit	Reservdelssats	> 9150001
F1-110-M	3795319	Spare Parts Kit	Reservdelssats	> 9150001
F1-053/053-L	3780317	Spare Parts Kit	Reservdelssats	Rep. 3796905
F1-053/053-R	3780318	Spare Parts Kit	Reservdelssats	Rep. 3796904
F1-055/045-L	3780317	Spare Parts Kit	Reservdelssats	Rep. 3796905
F1-055/045-R	3780318	Spare Parts Kit	Reservdelssats	Rep. 3796904
F1-070/035-L	3780320	Spare Parts Kit	Reservdelssats	Rep. 3796907
F1-070/035-R	3780319	Spare Parts Kit	Reservdelssats	Rep. 3796906
F1-020/030	3783311	Sealing Kit	Tätningssats	From S/N 1991190001
F1-040/060	3783309	Sealing Kit	Tätningssats	From S/N 1996490001
F1-080	3783308	Sealing Kit	Tätningssats	From S/N 1994111276
F1-110	3783307	Sealing Kit	Tätningssats	From S/N 1991190001

If you require seals to older versions please contact Parker Hannifin AB.

T1-050                      3793572      Sealing Kit                      Tätningssats

The Repair Kits comprise items 110, 227, 228, 233, 411, 440 and 473. If more parts are required it is normally not profitable to carry out a repair.

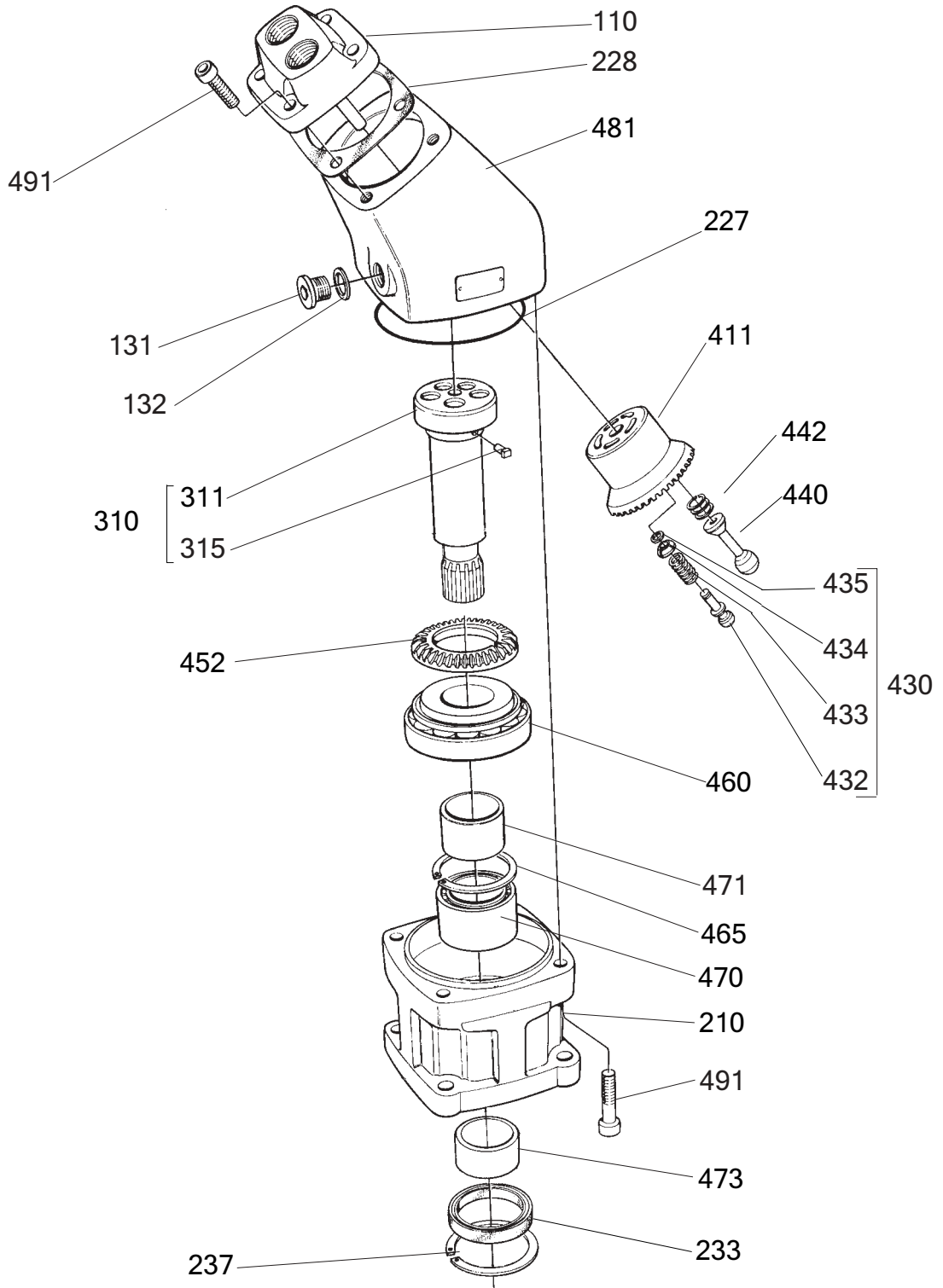
If there is any doubt about the type, please refer to SI 94/04.



\* Included in Item 310



Item	Part No	Title	Benämning	Qty	Remarks
110	3799946	End Cap assy	Anslutningstopp kpl	1	R-rotation,55/45 Repl.3791999
110	3799945	End Cap assy	Anslutningstopp kpl	1	L-rotation,55/45 Repl.3794608
110	3799942	End Cap assy	Anslutningstopp kpl	1	R-rotation,70/35 Repl.3795284
110	3799944	End Cap assy	Anslutningstopp kpl	1	L-rotation,70/35 Repl.3795285
131	3780933	Hex. Socket Plug	Insexpropp	1	
210	3708113	Bearing Housing Assy	Lagerhus,kpl	1	
227	3705057	Gasket	Packning	1	
227	3794268	O-ring	O-ring	1	From May 1991
228	3703977	Gasket	Packning	1	0.25 mm
233	118773	Shaft Seal	Tätningring	2	40*62*6
237	967822	Retaining Ring	Spärring	1	
248	3793510	Washer	Bricka	1	
249	116090	Grooved Rivet	Nit	1	
310	3795440	Shaft,assy	Axel,kpl	1	55/45 and 70/35
310	3796655	Shaft,assy	Axel,kpl	1	53/53
315	3709308	Guide Pin	Styrtapp	1	Included in Item 310
411	3795317	Cylinder Barrel	Cylindertrumma	1	55/45 and53/53
411	3780484	Cylinder Barrel	Cylindertrumma	1	70/35 Replaces 3795271
430	3709840	Barrel Support	Trumstöd	1	
440	3791993	Piston assy	Kolv kpl	5	Outer, 55,53 cc and Inner 35cc
442	3795377	Piston Ring	Lamellring	15	
443	3791991	Piston assy	Kolv kpl	5	Inner, 45,53 cc and Outer 70 cc
445	3705784	Piston Ring	Lamellring	15	
452	3795313	Ring Gear	Kuggkrans	1	
460	184660	Tapered Roller Bearing	Kon. Rullager	1	T7FC 055
465	914537	Retaining Ring	Spärring	1	
470	3705743	Cylindrical Bearing	Cyl. Lager	1	NU2207ECP
473	3796039	Inner Ring	Innerring	1	Replaces 3703976
481	3794992	Barrel Housing	Trumhus	1	
491	968580	Hex. Socket Screw	Insexskruv	8	M12*45, 10.9





# Spare Parts

F1-20 Part No.3794220, 3794221  
From serial No. 1993260729 and up

ASM 2.1

Tab: F1

Page 16

SP 193-0227US

Item	Part No	Title	Benämning	Qty	Remarks
110	3794223	END CAP ASSY	ANSLUTNINGSTOPP KPL	1	
131	3780933	HEX SOCKET PLUG R1/2	INSEXPROPP R1/2	1	
210	3794227	BEARING HOUSING	LAGERHUS TYP S	1	
227	3794264	O-RING 86*1.6 N 70	O-RING 86*1,6 N 70	1	
228	3704548	GASKET 0.25	PACKNING 0,25	2	
228	3794903	GASKET 0.40	PACKNING 0,40	2	
233	118773	SHAFT SEAL 40*62*6	TÄTNINGSRING 40*62*6	1	
237	967822	RETAINING RING JK62	SPÅRRING JK62 DIN 984	1	
310	3795446	SHAFT ASSY	AXEL KPL	1	
315	3792207	GUIDE PIN	STYRTAPP 6*11	1	
411	3704527	CYLINDER BARREL	CYLINDERTRUMMA	1	
430	3709838	BARREL SUPPORT	TRUMSTÖD	1	
440	3706402	PISTON ASSY	KOLV KPL	5	
442	3705969	PISTON RING DIA 15.15	LAMELLRING DIAM 15.15	15	
452	3797710	RING GEAR	KUGGKRANS	1	
460	3780418	TAP ROL BEARING 31307	KON RULLAGER 31307	1	Replaces 118840
465	914530	RETAINING RING SGH55	SPÅRRING SGH55	1	
470	3703905	NEEDLE BEARING	NÅLLAGER NKS40	1	
471	3796039	INNER RING 35*40*25	INNERRING 35*40*25	2	
473	3794954	INNER RING 35*40*17	INNERRING 35*40*17	1	
478	977802	RETAINING RING SW35	SPÅRRING SW35	1	
481	3794920	BARREL HOUSING	TRUMHUS	1	
491	949067	HEX S SCR M10*30 10.9	INS SKRUV M10*30 10.9	8	10.9



# Spare Parts

F1-30 Part No.3794230, 3794231  
From serial No. 1993260699 and up

ASM 2.1

Tab: F1

Page 17

SP 194-0227US

Item	Part No	Title	Benämning	Qty	Remarks
110	3794233	END CAP ASSY	ANSLUTNINGSTOPP KPL	1	
131	3780933	HEX SOCKET PLUG R1/2	INSEXPROPP R1/2	1	
210	3794227	BEARING HOUSING	LAGERHUS TYP S	1	
227	3794264	O-RING 86*1.6 N 70	O-RING 86*1,6 N 70	1	
228	3704548	GASKET 0.25	PACKNING 0,25	2	
228	3794903	GASKET 0.40	PACKNING 0,40	2	
233	118773	SHAFT SEAL 40*62*6	TÄTNINGSRING 40*62*6	1	
237	967822	RETAINING RING JK62	SPÅRRING JK62 DIN 984	1	
310	3795447	SHAFT ASSY	AXEL KPL	1	
315	3792207	GUIDE PIN	STYRTAPP 6*11	1	
411	3704540	CYLINDER BARREL	CYLINDERTRUMMA	1	
430	3709838	BARREL SUPPORT	TRUMSTÖD	1	
440	3706403	PISTON ASSY	KOLV KPL	5	
442	3795377	PISTON RING DIA 17.15	LAMELLRING DIAM 17.15	15	
452	3797710	RING GEAR	KUGGKRANS	1	
460	3780418	TAP ROL BEARING 31307	KON RULLAGER 31307	1	Replaces 118840
465	914530	RETAINING RING SGH55	SPÅRRING SGH55	1	
470	3703905	NEEDLE BEARING	NÅLLAGER NKS40	1	
471	3796039	INNER RING 35*40*25	INNERRING 35*40*25	2	
473	3794954	INNER RING 35*40*17	INNERRING 35*40*17	1	
478	977802	RETAINING RING SW35	SPÅRRING SW35	1	
481	3794920	BARREL HOUSING	TRUMHUS	1	
491	949067	HEX S SCR M10*30 10.9	INS SKRUV M10*30 10.9	8	



# Spare Parts

F1-40 Part No.3794240, 3794241  
Up to Serial No. 1993219999

ASM 2.1

Tab: F1

Page 18

SP 136-0227 US

Item	Part No	Title	Benämning	Qty	Remarks
110	3794243	END CAP ASSY	ANSLUTNINGSTOPP KPL	1	
131	3780933	HEX SOCKET PLUG R1/2	INSEXPROPP R1/2	1	
210	3794247	BEARING HOUSING	LAGERHUS TYP S	1	
227	3794266	O-RING 96.6*1.6 N 70	O-RING 96,6*1,6 N 70	1	
228	3703901	GASKET 0.25	PACKNING 0,25	2	
228	3794904	GASKET 0.40	PACKNING 0,40	2	
233	118773	SHAFT SEAL 40*62*6	TÄTNINGSRING 40*62*6	1	
237	967822	RETAINING RING JK62	SPÅRRING JK62 DIN 984	1	
310	3795443	SHAFT ASSYTYPE S	AXEL KPL TYP S	1	
315	3709162	GUIDE PIN	STYRTAPP 8*16	1	
411	3795341	CYLINDER BARREL	CYLINDERTRUMMA	1	Not available
430	3709839	BARREL SUPPORT	TRUMSTÖD	1	
440	3706404	PISTON ASSY	KOLV KPL	5	
442	3705784	PISTON RING DIA 19	LAMELLRING DIAM 19	15	
452	3795834	RING GEAR	KUGGKRANS	1	Not available
460	118025	TAP ROL BEARING 31308	KON RULLAGER 31308	1	ALT 3793547
465	914530	RETAINING RING SGH55	SPÅRRING SGH55	1	
470	3703905	NEEDLE BEARING	NÅLLAGER NKS40	1	
471	3796039	INNER RING 35*40*25	INNERRING 35*40*25	1	Replaces 3703976
473	3795766	INNER RING	INNERRING	1	
481	3794474	BARREL HOUSING	TRUMHUS	1	
491	949068	HEX S SCR M10*35 10.9	INS SKRUV M10*35 10.9	8	KLASS 10.9



# Spare Parts

F1-40 Part No.3794240, 3794241  
From Serial No. 1993220000 and up

ASM 2.1

Tab: F1

Page 19

SP 136-0227 US

Item	Part No	Title	Benämning	Qty	Remarks
110	3794243	END CAP ASSY	ANSLUTNINGSTOPP KPL	1	
131	3780933	HEX SOCKET PLUG R1/2	INSEXPROPP R1/2	1	
210	3794247	BEARING HOUSING	LAGERHUS TYP S	1	
227	3794266	O-RING 96.6*1.6 N 70	O-RING 96,6*1,6 N 70	1	
228	3703901	GASKET 0.25	PACKNING 0,25	2	
228	3794904	GASKET 0.40	PACKNING 0,40	2	
233	118773	SHAFT SEAL 40*62*6	TÄTNINGSRING 40*62*6	1	
237	967822	RETAINING RING JK62	SPÅRRING JK62 DIN 984	1	
310	3799874	SHAFT ASSY TYPE S	AXEL KPL TYP S	1	Replaces 3795443
315	3709162	GUIDE PIN	STYRTAPP 8*16	1	
411	3799394	CYLINDER BARREL	CYLINDERTRUMMA	1	Replaces 3795341
430	3709839	BARREL SUPPORT	TRUMSTÖD	1	
440	3706404	PISTON ASSY	KOLV KPL	5	
442	3705784	PISTON RING DIA 19	LAMELLRING DIAM 19	15	
452	3799395	RING GEAR	KUGGKRANS	1	Replaces 3795834
460	118025	TAP ROL BEARING 31308	KON RULLAGER 31308	1	ALT 3793547
465	914530	RETAINING RING SGH55	SPÅRRING SGH55	1	
470	3703905	NEEDLE BEARING	NÅLLAGER NKS40	1	
473	3799892	INNER RING 35*40*50	INNERRING 35*40*50	1	Replaces 3795766
481	3794474	BARREL HOUSING	TRUMHUS	1	
491	949068	HEX S SCR M10*35 10.9	INS SKRUV M10*35 10.9	8	KLASS 10.9



Item	Part No	Title	Benämning	Qty	Remarks
110	3794263	END CAP ASSY	ANSLUTNINGSTOPP KPL	1	
131	3780933	HEX SOCKET PLUG R1/2	INSEXPROPP R1/2	1	
210	3794247	BEARING HOUSING	LAGERHUS TYP S	1	
227	3794266	O-RING 96.6*1.6 N 70	O-RING 96,6*1,6 N 70	1	
228	3703901	GASKET 0.25	PACKNING 0,25	2	
228	3794904	GASKET 0.40	PACKNING 0,40	2	
233	118773	SHAFT SEAL 40*62*6	TÄTNINGSRING 40*62*6	1	
237	967822	RETAINING RING JK62	SPÅRRING JK62 DIN 984	1	
310	3795442	SHAFT ASSY TYPE S	AXEL KPL TYPE S	1	
315	3709162	GUIDE PIN	STYRTAPP 8*16	1	
411	3703868	CYLINDER BARREL	CYLINDERTRUMMA	1	Not available
430	3709839	BARREL SUPPORT	TRUMSTÖD	1	
440	3706405	PISTON ASSY	KOLV KPL	5	
442	3705975	PISTON RING DIA 21.6	LAMELLRING DIAM 21,6	15	
452	3704560	RING GEAR	KUGGKRANS	1	Not available
460	118025	TAP ROL BEARING 31308	KON RULLAGER 31308	1	ALT 3793547
465	914530	RETAINING RING SGH55	SPÅRRING SGH55	1	
470	3703905	NEEDLE BEARING	NÅLLAGER NKS40	1	
471	3796039	INNER RING 35*40*25	INNERRING 35*40*25	1	Replaces 3703976
473	3795766	INNER RING	INNERRING	1	
481	3794474	BARREL HOUSING	TRUMHUS	1	
491	949068	HEX S SCR M10*35 10.9	INS SKRUV M10*35 10.9	8	KLASS 10.9



# Spare Parts

F1-60 Part No. 3794260, 3794261  
From Serial No. 1993210724 and up

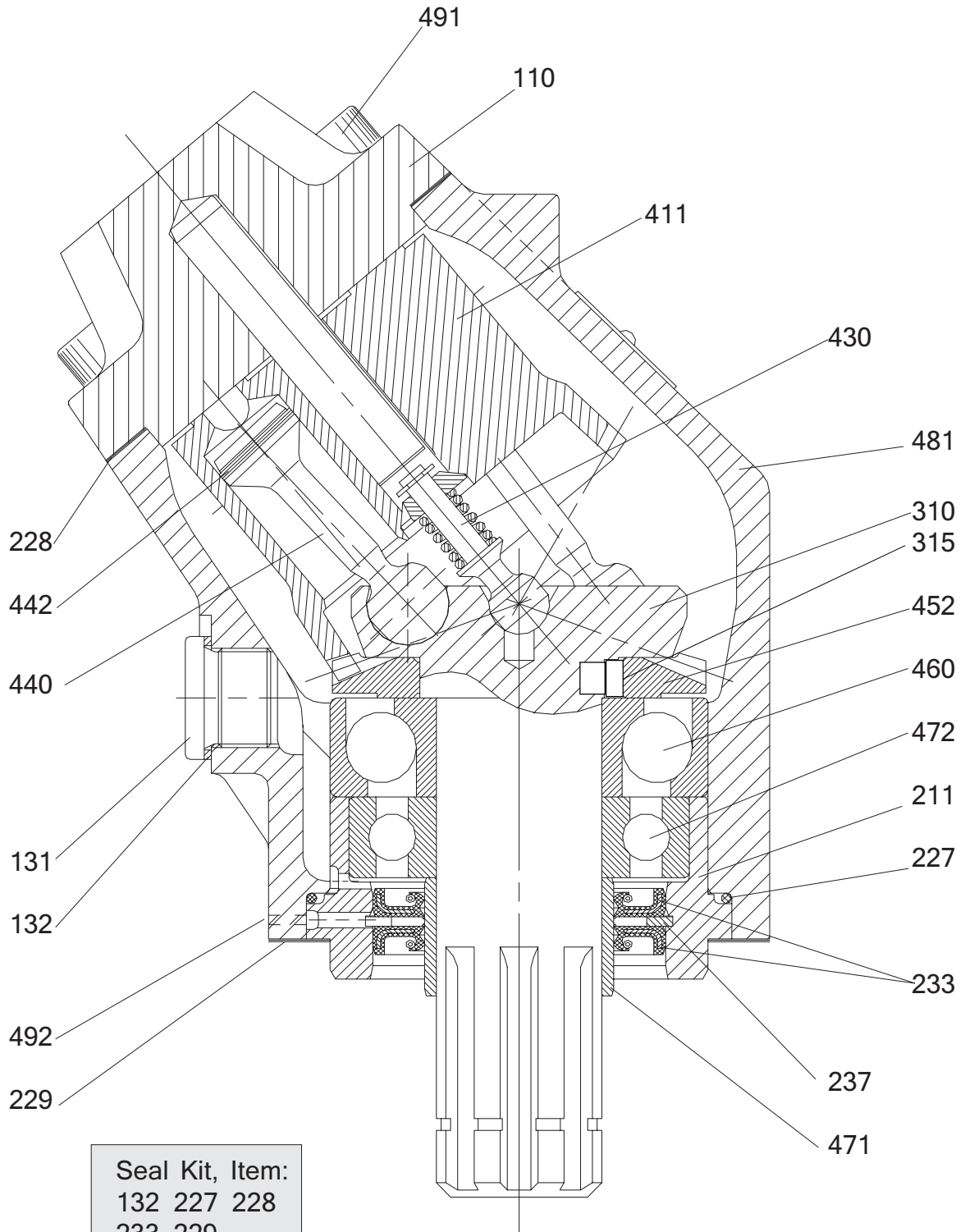
ASM 2.1

Tab: F1

Page 21

SP137-0227 US

Item	Part No	Title	Benämning	Qty	Remarks
110	3794263	END CAP ASSY	ANSLUTNINGSTOPP KPL	1	
131	3780933	HEX SOCKET PLUG R1/2	INSEXPROPP R1/2	1	
210	3794247	BEARING HOUSING	LAGERHUS TYP S	1	
227	3794266	O-RING 96.6*1.6 N 70	O-RING 96,6*1,6 N 70	1	
228	3703901	GASKET 0.25	PACKNING 0,25	2	
228	3794904	GASKET 0.40	PACKNING 0,40	2	
233	118773	SHAFT SEAL 40*62*6	TÄTNINGSRING 40*62*6	1	
237	967822	RETAINING RING JK62	SPÅRRING JK62 DIN 984	1	
310	3799878	SHAFT ASSY TYPE S	AXEL KPL TYPE S	1	Replaces 3795442
315	3709162	GUIDE PIN	STYRTAPP 8*16	1	
411	3799393	CYLINDER BARREL	CYLINDERTRUMMA	1	Replaces 3795340
430	3709839	BARREL SUPPORT	TRUMSTÖD	1	
440	3706405	PISTON ASSY	KOLV KPL	5	
442	3705975	PISTON RING DIA 21.6	LAMELLRING DIAM 21,6	15	
452	3799395	RING GEAR	KUGGKRANS	1	Replaces 3795834
460	118025	TAP ROL BEARING 31308	KON RULLAGER 31308	1	ALT 3793547
465	914530	RETAINING RING SGH55	SPÅRRING SGH55	1	
470	3703905	NEEDLE BEARING	NÅLLAGER NKS40	1	
473	3799892	INNER RING 35*40*50	INNERRING 35*40*50	1	Replaces 3795766
481	3794474	BARREL HOUSING	TRUMHUS	1	
491	949068	HEX S SCR M10*35 10.9	INS SKRUV M10*35 10.9	8	KLASS 10.9





# Spare Parts

T1-50-R: 3792050, T1-50-L: 3792051  
Serial No 9010001 to 1994281152

Tab: **T1**  
Page 23  
SP 087-0409 GB/S

Item	Part No	Title	Benämning	Qty	Remarks
110	3792021	END CAP ASSY	ANSLUTNINGSTOPP KPL	1	
131	3780933	HEX SOCKET PLUG R1/2	INSEXPROPP R1/2	1	
211	3792877	SEAL CARRIER	TÄTRINGSHÅLLARE	1	
227	925095	O-RING 84.5*3	O-RING 84,5*3	1	70 IRH
228	3792022	GASKET	PACKNING		
233	118773	SHAFT SEAL 40*62*6	TÄTNINGSRING 40*62*6	2	
237	967822	RETAINING RING IK62	SPÄRRING IK62 DIN 984	1	
229	3793130	GASKET	PACKNING	1	
311	3792023	SHAFT	AXEL	1	Not available
411	3792025	CYLINDER BARREL	CYLINDERTRUMMA	1	
430	3709839	BARREL SUPPORT	TRUMSTÖD	1	
440	3792027	PISTON ASSY	KOLV KPL	5	
442	3792841	PISTON RING	LAMELLRING	15	
452	3792029	RING GEAR	KUGGKRANS	1	
460	183241	BEARING	V KONT KULLAG 7307B	1	
472	11014	BEARING	KULLAG 6207	1	
471	3796039	INNER RING	INNERRING	1	Replaces 3703976
481	3709309	BARREL HOUSING	TRUMHUS	1	
491	949068	HEX SOCKET SCREW	INSEXSKRUV M10*35	4	KLASS 10.9
492	967299	SET SCREW	STOPPSKRUV M4*10	1	
	3793572	SEAL KIT	TÄTNINGSSATS		



# Spare Parts

T1-50-R.: 3792050, T1-50-L.: 3792051  
Serial No 1994190245 and higher.

Tab: T1

Page 24

SP 087-0409 GB/S

Item	Part No	Title	Benämning	Qty	Remarks
110	3792021	END CAP ASSY	ANSLUTNINGSTOPP KPL	1	
131	3780933	HEX SOCKET PLUG R1/2	INSEXPLOPP R1/2	1	
211	3792877	SEAL CARRIER	TÄTRINGSHÅLLARE	1	
227	925095	O-RING 84.5*3 N 70	O-RING 84,5*3 N 70	1	
228	3792022	GASKET 0.25	PACKNING 0,25	2	
228	3794907	GASKET 0.40	PACKNING 0,40	2	
229	3793130	GASKET	PACKNING	1	
233	118773	SHAFT SEAL 40*62*6	TÄTNINGSRING 40*62*6	2	
237	967822	RETAINING RING JK62	SPÅRRING JK62 DIN 984	1	
310	3796172	SHAFT ASSY	AXEL KPL	1	
311	3796167	SHAFT	AXEL	1	
315	3792207	GUIDE PIN	STYRTAPP 6*11	1	
411	3792025	CYLINDER BARREL	CYLINDERTRUMMA	1	
430	3709839	BARREL SUPPORT	TRUMSTÖD	1	
440	3792027	PISTON ASSY	KOLV KPL	5	
442	3792841	PISTON RING DIA 20.65	LAMELLRING DIAM 20,65	15	
452	3797710	RING GEAR	KUGGKRANS	1	
460	183241	BEARING	V KONT KULLAG 7307B	1	
471	3796039	INNER RING 35*40*25	INNERRING 35*40*25	1	
472	11014	BEARING	KULLAGER 6207	1	
480	3709309	BARREL HOUSING ASSY	TRUMHUS KPL	1	
248	3793510	WASHER	BRICKA	1	
249	116090	GROOVED RIVET	NIT	1	
481	3794958	BARREL HOUSING	TRUMHUS	1	
491	949068	HEX S SCR M10*35 10.9	INS SKRUV M10*35 10.9	4	10.9
492	967299	SET SCREW	STOPPSKRUV M4*10	1	



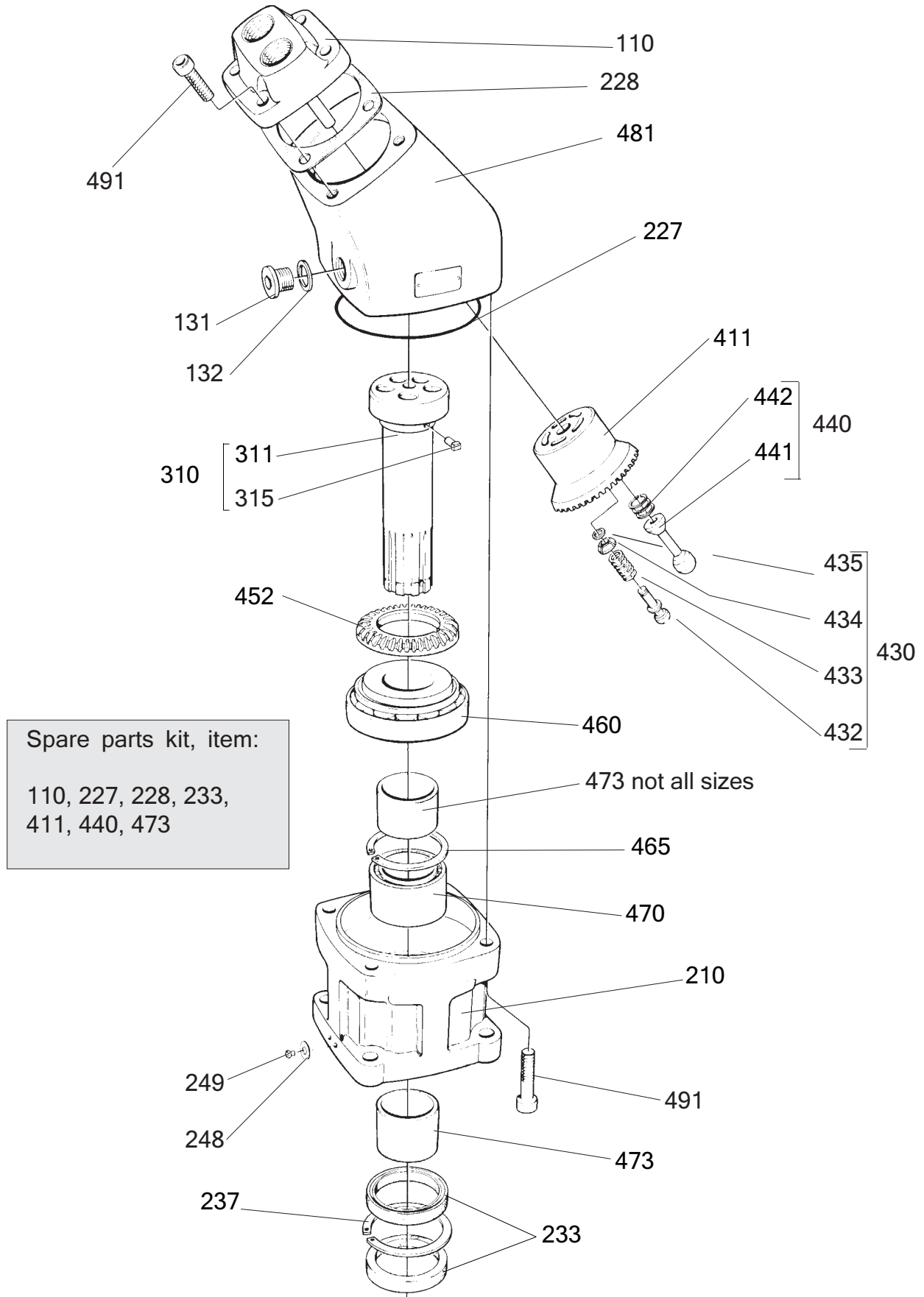
# Spare Parts

T1-051-R3782250, T1-051-L3782251

Tab: T1

SP 087-0409 GB/S

Item	Part No	Title	Benämning	Qty	Remarks
110	3782302	END CAP ASSY	ANSLUTNINGSTOPP KPL	1	
130	3780933	HEX SOCKET PLUG R1/2	INSEXPROPP R1/2	1	
211	3792877	SEAL CARRIER	TÄTRINGSHÅLLARE	1	
227	925095	O-RING 84.5*3 N 70	O-RING 84,5*3 N 70	1	
228	3792022	GASKET 0.25	PACKNING 0,25	2	
228	3794907	GASKET 0.40	PACKNING 0,40	2	
229	3793130	GASKET	PACKNING	1	
233	118773	SHAFT SEAL 40*62*6	TÄTNINGSRING 40*62*6	2	
237	967822	RETAINING RING JK62	SPÅRRING JK62 DIN 984	1	
310	3783180	SHAFT ASSY	AXEL KPL	1	
411	3792025	CYLINDER BARREL	CYLINDERTRUMMA	1	
430	3709839	BARREL SUPPORT	TRUMSTÖD	1	
440	3792027	PISTON ASSY	KOLVKPL	5	
452	3783181	RING GEAR	KUGGKRANS	1	
460	183241	BEARING	V KONT KULLAG 7307B	1	
471	3796039	INNER RING 35*40*25	INNERRING 35*40*25	1	
472	11014	BEARING	KULLAGER 6207	1	
480	3709309	BARREL HOUSING ASSY	TRUMHUS KPL	1	
491	974109	HEX S SCR M10*35 10.9	INS SKRUV M10*35 10.9	4	10.9
492	967299	SET SCREW	STOPPSKRUV M4*10	1	



Spare parts kit, item:  
 110, 227, 228, 233,  
 411, 440, 473



# Spare Parts

T1-80 Part No. 3796580, 3796680, 3797080

From Serial No 1994101485  
and up to 1996490000

Tab: **T1**

Page 26  
SP192-0409 GB/S

Item	Part No	Title	Benämning	Qty	Remarks
110	3796529	END CAP ASSY	ANSLUTNINGSTOPP KPL	1	
131	3780933	HEX SOCKET PLUG R1/2	INSEXPLOPP R1/2	1	
210	3703825	BEARING HOUSING ASSY	LAGERHUS KPL	1	Not available
248	3793510	WASHER	BRICKA	1	
249	116090	GROOVED RIVET	NIT	1	
227	3794266	O-RING	O-RING	1	
228	3703901	GASKET 0.25	PACKNING 0,25	2	
228	3794904	GASKET 0.40	PACKNING 0,40	2	
233	118773	SHAFT SEAL 40*62*6	TÄTNINGSRING 40*62*6	2	
237	967822	RETAINING RING JK62	SPÅRRING JK62 DIN 984	1	
310	3795433	SHAFT ASSY	AXEL KPL	1	
315	3709162	GUIDE PIN	STYRTAPP 8*16	1	
411	3799396	CYLINDER BARREL	CYLINDERTRUMMA	1	Replaces 3796522
430	3709839	BARREL SUPPORT	TRUMSTÖD	1	
432	3703894	SUPPORT PIN	STÖDTAPP	1	
433	3703899	COMPRESSION SPRING	TRYCKFJÄDER	1	
434	3703895	SUPPORT RING	STÖDRING	1	
435	951667	CIRCLIP 4*0.7	SPÅRRYTTARE 4*0,7	1	
440	3796530	PISTON ASSY	KOLV KPL	5	
442	3796526	PISTON RING DIA 25	LAMELLRING DIAM 25	15	
452	3799395	RING GEAR	KUGGKRANS	1	Replaces 3795834
460	118025	TAP ROL BEARING 31308	KON RULLAGER 31308	1	ALT 3793547
465	914530	RETAINING RING SGH55	SPÅRRING SGH55	1	
470	3703905	NEEDLE BEARING	NÅLLAGER NKS40	1	
473	3796039	INNER RING 35*40*25	INNERRING 35*40*25	2	
481	3794474	BARREL HOUSING	TRUMHUS	1	Not available
491	949068	HEX S SCR M10*35 10.9	INS SKRUV M10*35 10.9	8	KLASS 10.9



# Spare Parts

T1-80 Part No. 3796580, 3796680, 3797080

From Serial no 1996490001

Tab: T1

Page 26A

SP192-0409 GB/S

Item	Part No	Title	Benämning	Qty	Remarks
110	3796529	END CAP ASSY	ANSLUTNINGSTOPP KPL	1	
131	3780933	HEX SOCKET PLUG R1/2	INSEXPLOPP R1/2	1	
210	3797189	BEARING HOUSING ASSY	LAGERHUS KPL	1	Replaces 3703825
248	3793510	WASHER	BRICKA	1	
249	116090	GROOVED RIVET	NIT	1	
227	3797193	O-RING	O-RING	1	Replaces 3794266
228	3703901	GASKET 0.25	PACKNING 0,25	2	
228	3794904	GASKET 0.40	PACKNING 0,40	2	
233	118773	SHAFT SEAL 40*62*6	TÄTNINGSRING 40*62*6	2	
237	967822	RETAINING RING JK62	SPÅRRING JK62 DIN 984	1	
310	3795433	SHAFT ASSY	AXEL KPL	1	
315	3709162	GUIDE PIN	STYRTAPP 8*16	1	
411	3799396	CYLINDER BARREL	CYLINDERTRUMMA	1	Replaces 3796522
430	3709839	BARREL SUPPORT	TRUMSTÖD	1	
432	3703894	SUPPORT PIN	STÖDTAPP	1	
433	3703899	COMPRESSION SPRING	TRYCKFJÄDER	1	
434	3703895	SUPPORT RING	STÖDRING	1	
435	951667	CIRCLIP 4*0.7	SPÄRRYTTARE 4*0,7	1	
440	3796530	PISTON ASSY	KOLV KPL	5	
442	3796526	PISTON RING DIA 25	LAMELLRING DIAM 25	15	
452	3799395	RING GEAR	KUGGKRANS	1	Replaces 3795834
460	3797156	TAP ROL BEARING 31308	KON RULLAGER 31308	1	ALT 3793547
465	914530	RETAINING RING SGH55	SPÅRRING SGH55	1	
470	3703905	NEEDLE BEARING	NÅLLAGER NKS40	1	
473	3796039	INNER RING 35*40*25	INNERRING 35*40*25	2	
481	3797190	BARREL HOUSING	TRUMHUS	1	Replaces 3794474
491	949068	HEX S SCR M10*35 10.9	INS SKRUV M10*35 10.9	8	KLASS 10.9



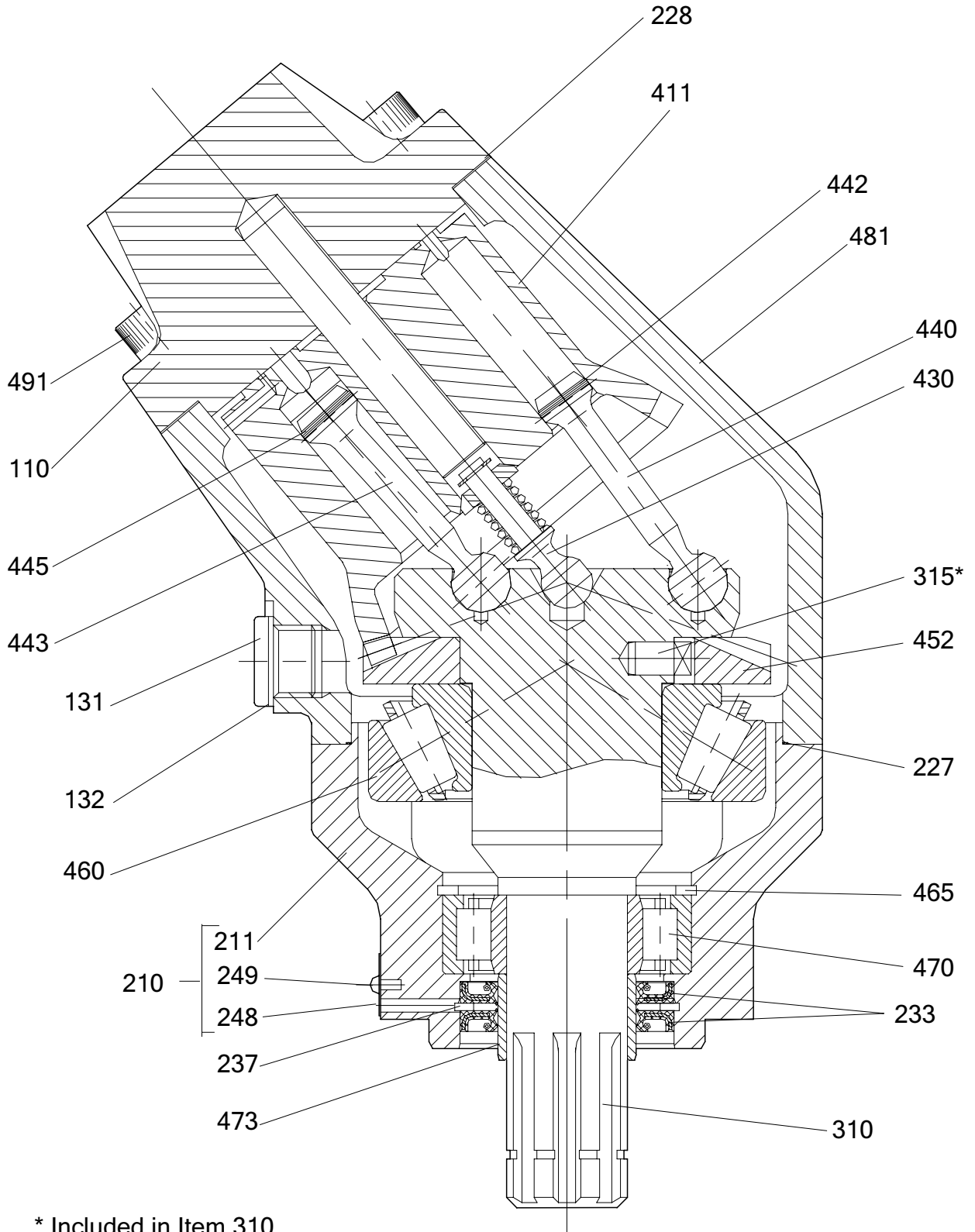
# Spare Parts

T1-081-R3782180, T1-081-L3782181

Tab: T1

SP192-0409 GB/S

Item	Part No	Title	Benämning	Qty	Remarks
110	3783388	END CAP ASSY	ANSLUTNINGSTOPP KPL	1	
131	3780933	HEX SOCKET PLUG R1/2	INSEXPROPP R1/2	1	
210	3781722	BEARING HOUSING ASSY	LAGERHUS KPL	1	
223	3781742	O-RING	O-RING	1	
233	3783000	SHAFT SEAL 40*62*6	TÄTNINGSRING 40*62*6	1	
310	3781737	SHAFT ASSY	AXEL KPL	1	
411	3781985	CYLINDER BARREL	CYLINDERTRUMMA	1	
430	3780483	BARREL SUPPORT	TRUMSTÖD	1	
440	3782421	PISTON ASSY	KOLVKPL	5	
452	3780284	RING GEAR	KUGGKRANS	1	
460	3780418	TAP ROL BEARING 31307	KONRULLAGER 31307	1	
470	3782077	ROLLER BEARING	KULLAGER	1	
473	3782770	INNER RING 35*42*16,5	INNERRING 35*42*16,5	1	
491	3782191	HEX S SCR M12*45 10.9	INS SKRUV M12*45 10.9	4	
492	3782836	ASSEMBLY KIT	MONTERINGSSATS	1	



\* Included in Item 310



# Spare Parts

# ASM 2.1

F2-70/35,-53/53

Part No: 3799960, 3799970, 3799980, 3799990

F2-*plus*-70/35, -53/53 from serial no. 2000070001

Part No: 3781453, 3781454, 3781470, 3781471

Tab: **F2**

Page 2

SP 035-0227 GB/S

Item	Part No	Title	Benämning	Qty	Remarks
110	3799942	End Cap assy	Anslutningstopp kpl	1	R-rotation, 70/35
110	3799944	End Cap assy	Anslutningstopp kpl	1	L-rotation, 70/35
110	3799945	End Cap assy	Anslutningstopp kpl	1	L-rotation, 53/53
110	3799946	End Cap assy	Anslutningstopp kpl	1	R-rotation, 53/53
110	3781442	End Cap assy	Anslutningstopp kpl	1	R-rotation, 70/35 -plus
110	3781444	End Cap assy	Anslutningstopp kpl	1	L-rotation, 70/35 -plus
110	3781445	End Cap assy	Anslutningstopp kpl	1	L-rotation, 53/53 -plus
110	3781446	End Cap assy	Anslutningstopp kpl	1	R-rotation, 53/53 -plus
131	3780933	Hex. Socket Plug	Insexpropp	1	
210	3708113	Bearing Housing Assy	Lagerhus,kpl	1	
227	3794268	O-ring	O-ring	1	
228	3703977	Gasket	Packning		0.25 mm
228	3794905	Gasket	Packning		0.40 mm
233	118773	Shaft Seal	Tätningarring	2	40*62*6
237	967822	Retaining Ring	Spärring	1	
248	3793510	Washer	Bricka	1	
249	116090	Grooved Rivet	Nit	1	
310	3795440	Shaft, assy	Axel, kpl	1	70/35
310	3796655	Shaft, assy	Axel, kpl	1	53/53
411	3780207	Cylinder Barrel	Cylindertrumma	1	53/53 replaces 3795317
411	3780484	Cylinder Barrel	Cylindertrumma	1	70/35 replaces 3795271
430	3709840	Barrel Support	Trumstöd	1	
440	3799991	Piston assy	Kolv kpl	5	70/35
440	3791993	Piston assy	Kolv kpl	5	53/53
442	3705784	Piston Ring	Lamellring	15	for 3799991
442	3795377	Piston Ring	Lamellring	15	for 3791993
443	3791993	Piston assy	Kolv kpl	5	70/35
443	3799991	Piston assy	Kolv kpl	5	53/53
445	3795377	Piston Ring	Lamellring	15	for 3791993
445	3705784	Piston Ring	Lamellring	15	for 3799991
452	3795313	Ring Gear	Kuggkrans	1	
460	184660	Tapered Roller Bearing	Kon. Rullager	1	T7FC 055
465	914537	Retaining Ring	Spärring	1	
470	3705743	Cylindrical Bearing	Cyl. Lager	1	NU2207ECP
473	3796039	Inner Ring	Innerring	1	
481	3780067	Barrel Housing	Trumhus	1	
491	968580	Hex. Socket Screw	Insexskruv	8	M12*45, 10.9

## Kits for F2-053/053,-070/035

To fit	Part No	Title	Benämning	Serialno:
F2-053/053-L	3780317	Spare Parts Kit	Reservdelssats	1997470001
F2-053/053-R	3780318	Spare Parts Kit	Reservdelssats	1997470002
F2-070/035-L	3780320	Spare Parts Kit	Reservdelssats	1997470003
F2-070/035-R	3780319	Spare Parts Kit	Reservdelssats	1997470004

Please refer to ASM 4.1 SI 98/01.

Kits for F2-*plus*-053/053,-070/035

To fit	Part No	Title	Benämning	Serialno:
F2-053/053-L	3781568	Spare Parts Kit	Reservdelssats	2000070001
F2-053/053-R	3781569	Spare Parts Kit	Reservdelssats	2000070001
F2-070/035-L	3781571	Spare Parts Kit	Reservdelssats	2000070001
F2-070/035-R	3781570	Spare Parts Kit	Reservdelssats	2000070001
F2-70/35, 53/53	3783307	Sealing Kit	Tätsats	

The Spare Parts Kits comprise items 110, 227, 228, 233, 411, 440, 443 and 473.  
If more parts are required it is normally not profitable to carry out a repair.